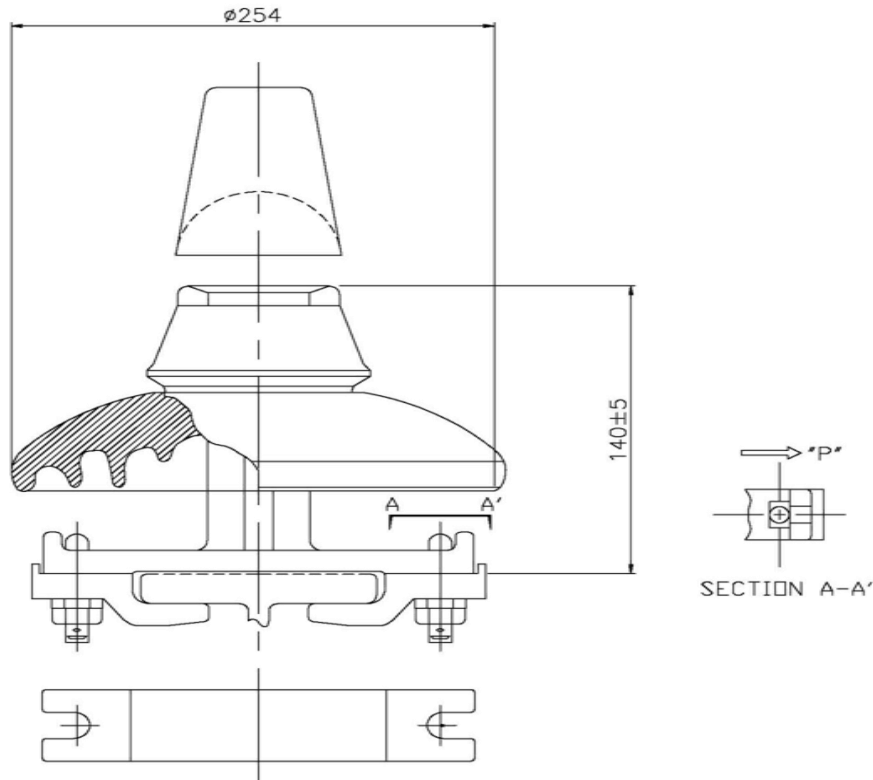


# T-Bar Support Insulator



The following T-Bar Support insulator complies with KS C 3824 and KS C 3801.



## Standard Specification : KS C 3824 and KS C 3801.

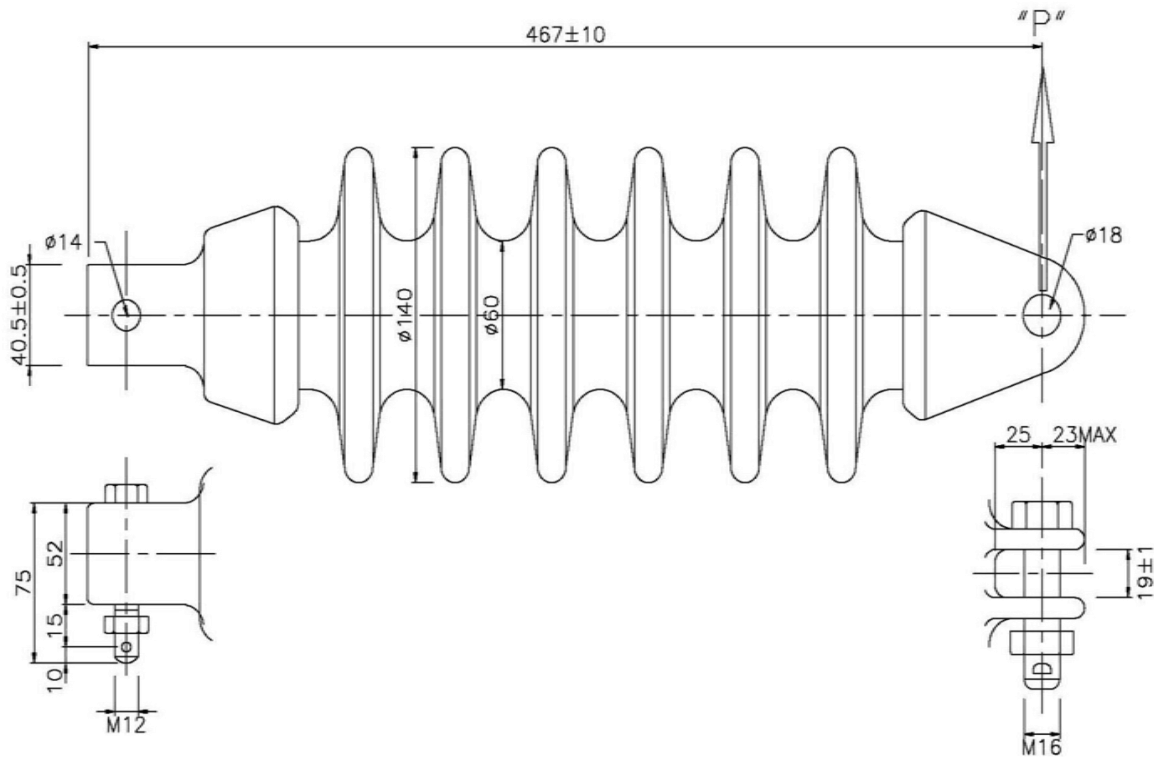
Discription			T-Bar Support insulator
Creepage Distance		mm	290
Electro-Mechanical Failing Load	Tensile	kg	500
	Cantilever	kg	300
Electro-Mechanical Proof test Load	Tensile	kg	400
	Cantilever	kg	240
Low-Frequency Flashover Voltage	Dry	kV	60
	Wet	kV	30
Low-Frequency Withstand Voltage	Wet	kV	22
50% Impulse Voltage	Flashover	kV	100
	Withstand	kV	80
Low-Frequency Puncture Voltage in Oil		kV	140



# Stem Insulator (DC1500V – 467mm)



The following Stem insulator complies with KS C 3817 and KS C 3801.



**Standard Specification : KS C 3817 and KS C 3801.**

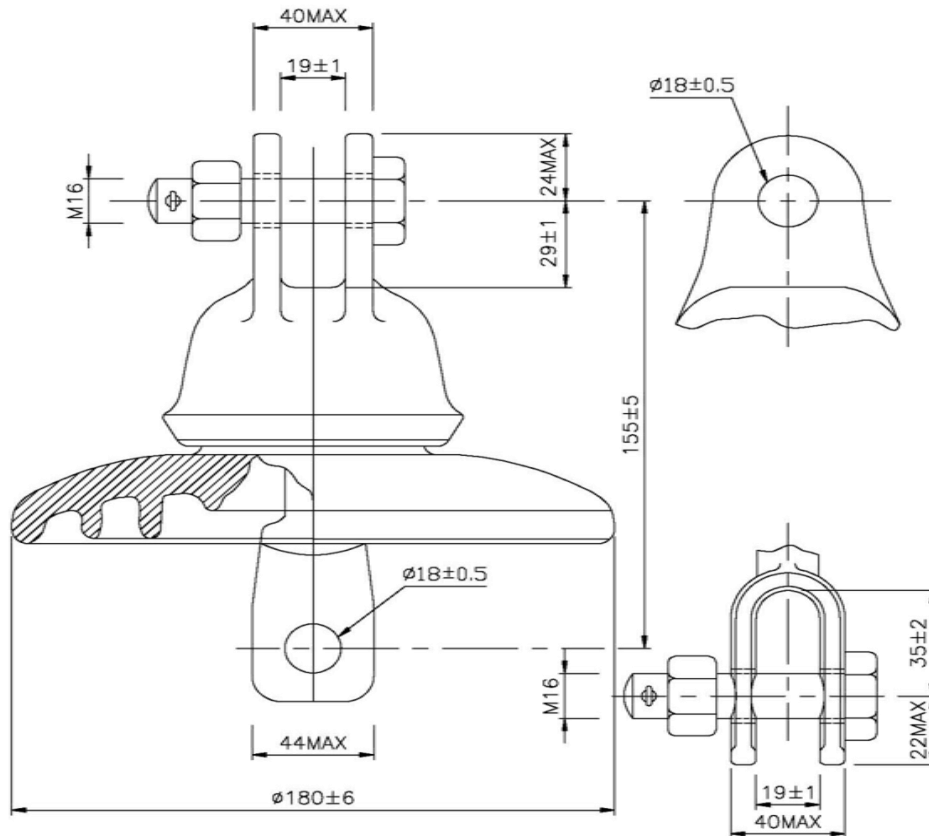
Discription		STEM Insulator (DC1500V - 467mm)
Creepage Distance	mm	600
Bending Breaking Load	kg	315 above
Routine Tension Proof Test Load	kg	2300/10s
Low-Frequency Wet Withstand Voltage	kV	65/min
50% Impulse Withstand Voltage	kV	180
Net. Weight	kg	7.5



# Suspension Insulator (Clevis Pin Type)



The following Suspension insulator complies with KS C 3824 and KS C 3801.



**Standard Specification : KS C 3824 and KS C 3801.**

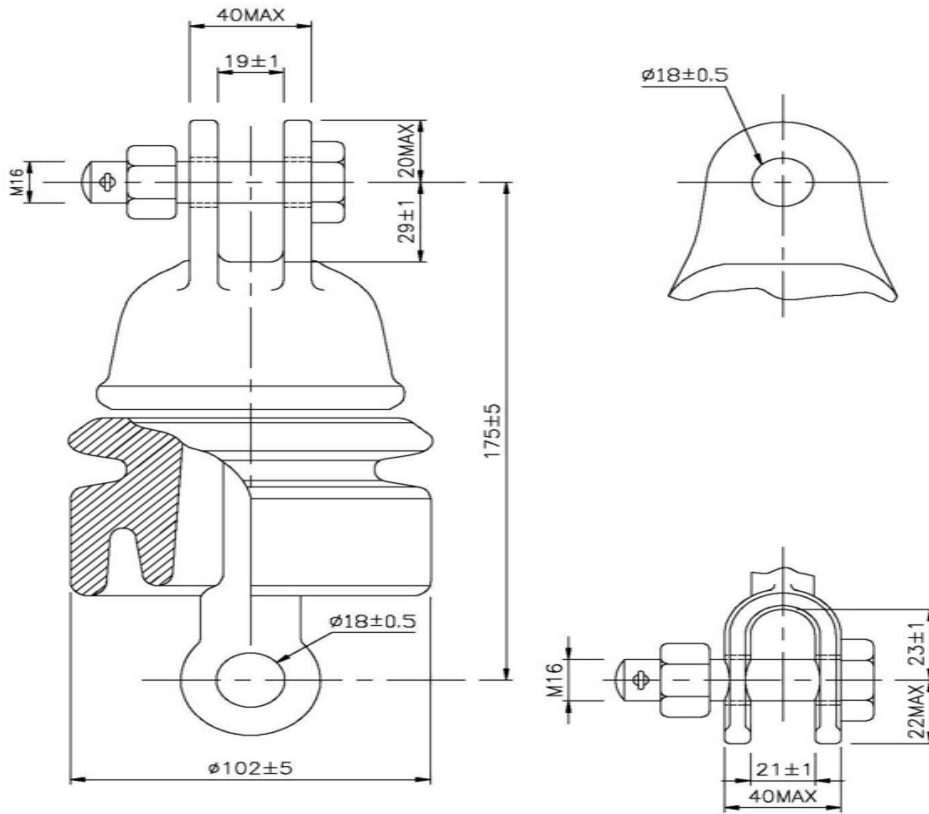
Discription		Suspension Insulator (Clevis Pin Type)
Creepage Distance	mm	180
Electro-Mechanical Failing Load	kg	7,500
Routine Tension Proof Test Load	kg	2,500
Low-Frequency Wet Withstand Voltage	kV	24
Low-Frequency Puncture Voltage in Oil	kV	120
50% Impulse Withstand Voltage	kV	75



# Suspension Insulator (Clevis Pin Type)



The following Suspension insulator complies with KS C 3827 and KS C 3801.



**Standard Specification : KS C 3827 and KS C 3801.**

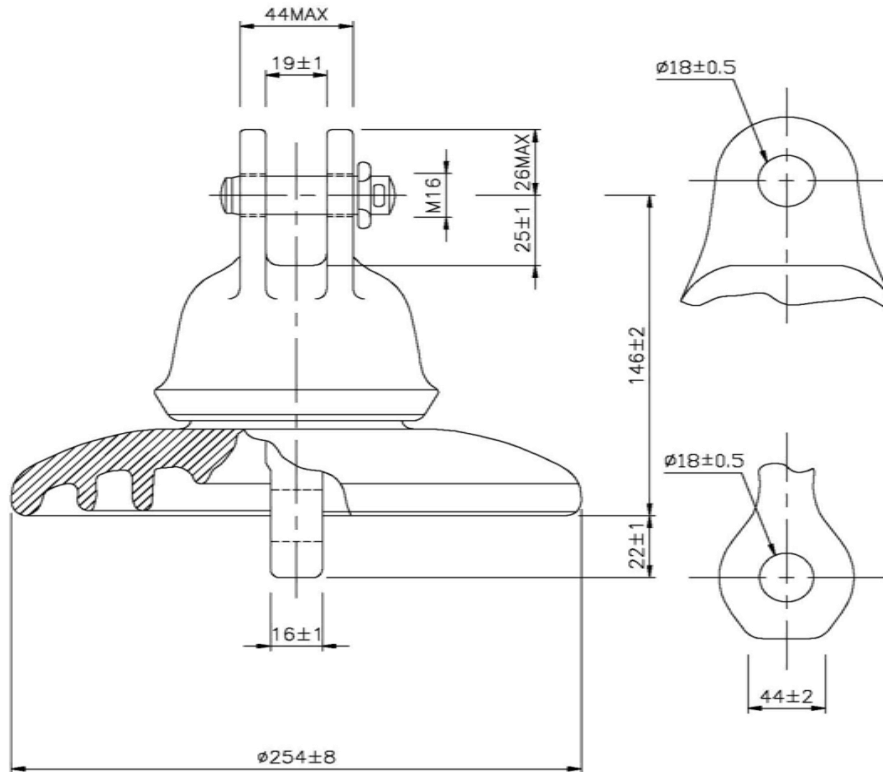
Discription		Suspension Insulator (Clevis Pin Type)
Creepage Distance	mm	205
Electro-Mechanical Failing Load	kg	4,000
Routine Tension Proof Test Load	kg	1,300
Low-Frequency Wet Withstand Voltage	kV	24
Low-Frequency Puncture Voltage in Oil	kV	100
50% Impulse Withstand Voltage	kV	75



# Suspension Insulator (Clevis Pin Type)



The following Suspension insulator complies with KS C 3824 and KS C 3801.



**Standard Specification : KS C 3824 and KS C 3801.**

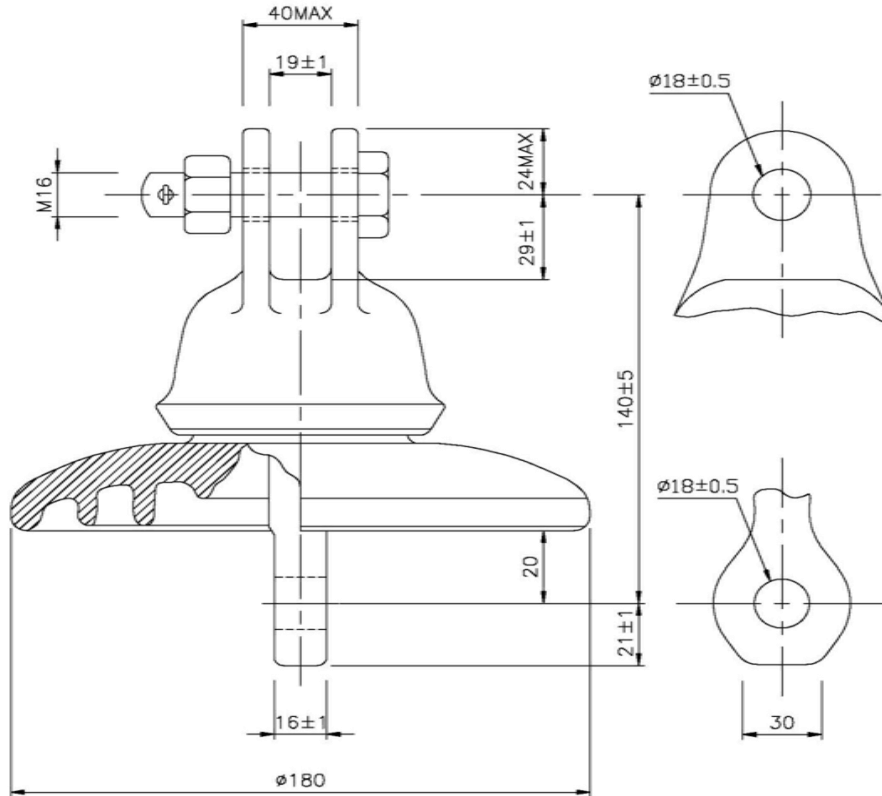
Discription		Suspension Insulator (Clevis Pin Type)
Creepage Distance	mm	280
Electro-Mechanical Failing Load	kg	12,000
Routine Tension Proof Test Load	kg	4,000
Low-Frequency Wet Withstand Voltage	kV	40
Low-Frequency Puncture Voltage in Oil	kV	140
50% Impulse Withstand Voltage	kV	105



# Suspension Insulator (Parallel Type)



The following Suspension insulator complies with KS C 3824 and KS C 3801.



Standard Specification : KS C 3824 and KS C 3801.

Discription		Suspension Insulator (Parallel Type)
Creepage Distance	mm	180
Electro-Mechanical Failing Load	kg	7,500
Routine Tension Proof Test Load	kg	2,500
Low-Frequency Wet Withstand Voltage	kV	24
Low-Frequency Puncture Voltage in Oil	kV	120
50% Impulse Withstand Voltage	kV	75

