



**Polymer Line Post Insulators
with Horizontal and Vertical Type
for 15kV to 35kV Application**



WOOJIN Electric & Power Co., LTD.

Research & Development Institute/Science and Technology Agency

1B-1L, National 4th Industrial Complex, Sindang, Sandong, Gumi, Gyeongbuk, Korea 730-853

www.woojinenp.com

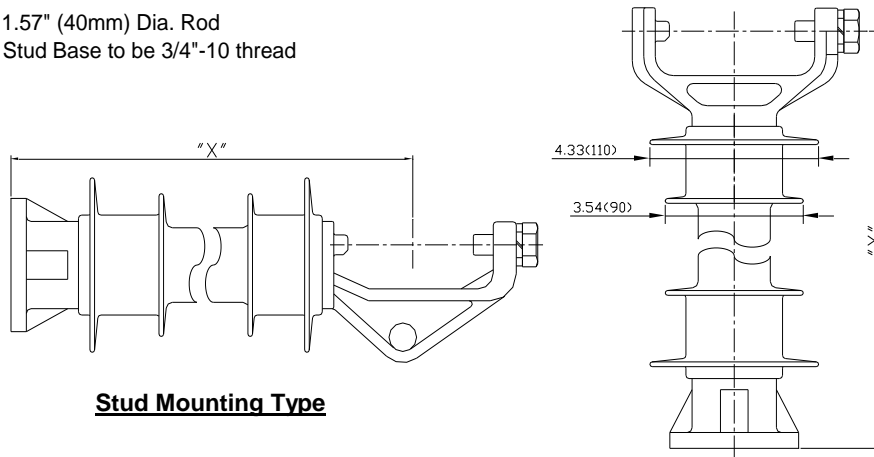
TEL (82)54-476-0013~16, FAX (82)54-476-0017

Polymer Line Post Insulators



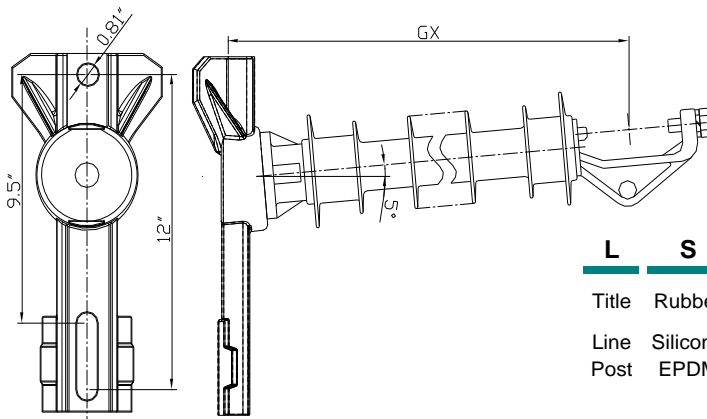
Mechanical & Electrical characteristics

1.57" (40mm) Dia. Rod
Stud Base to be 3/4"-10 thread



Stud Mounting Type

SPECIFICATION	UNIT	Catalog Numbers			
		LSHB15110312	LSHB28110506	LSHB35110602	
Line Voltage	kV	15	28	35	
ANSI Class	-	51-21, 51-11	51-22, 51-12	51-23, 51-13	
CEA Class	-	LP15	LP25	LP28M	
"X" Section Length	In (mm)	10.4 (263)	14.7 (374)	17.1 (433)	
"GX" Section Length with Gain Base	In (mm)	11.7 (296)	16.0 (407)	18.3 (466)	
Dry Arc Distance	In (mm)	7.5 (191)	12.1 (308)	14.4 (365)	
Leakage Distance	In (mm)	12.3 (312)	19.9 (506)	23.7 (602)	
Low-Frequency	Dry	kV	86	122	141
Flashover	Wet		66	103	122
Critical Impulse	Pos	kV	146	208	239
Flashover	Neg		193	271	309
Radio Influence	Test	kV	10	15	22
Voltage at 1000 kHz	Max	μV	2.5	2.5	2.5
Specified Tensile Load (STL)	kN(lb)	22 (5000)			
Specified Cantilever Load (SCL)	kN(lb)	12.5 (2800)			
Max. Design Cantilever Load (MDCL)	kN(lb)	6 (1350)			
Net Weight	kg(lb)	6.4 (14.1)	6.8 (15.0)	7.8 (17.2)	
Standard Packing	pcs	3	3	3	



Stud & Gain Base Type
with 10" or 12"

Catalog Numbers System

L	S	H	B	15	1	1	312
Title	Rubber	Type	Rod Dia.	Line Voltage	Line Fitting	Base Fitting	Leakage Distance
Line Post	Silicone EPDM	Horizontal Vertical	A:38mm B:40mm C:43mm D:48mm	15kV 28kV 35kV	1:Horizontal Trunnion 2:Vertical Trunnion 3:Tie Top 4:Universal Clamp	1:Stud 3/4-10 2:Stud 7/8-9 3:Stud & 10" Gain Base 4:Stud & Vertical Mounting Base 5:Stud & 12" Gain Base	

