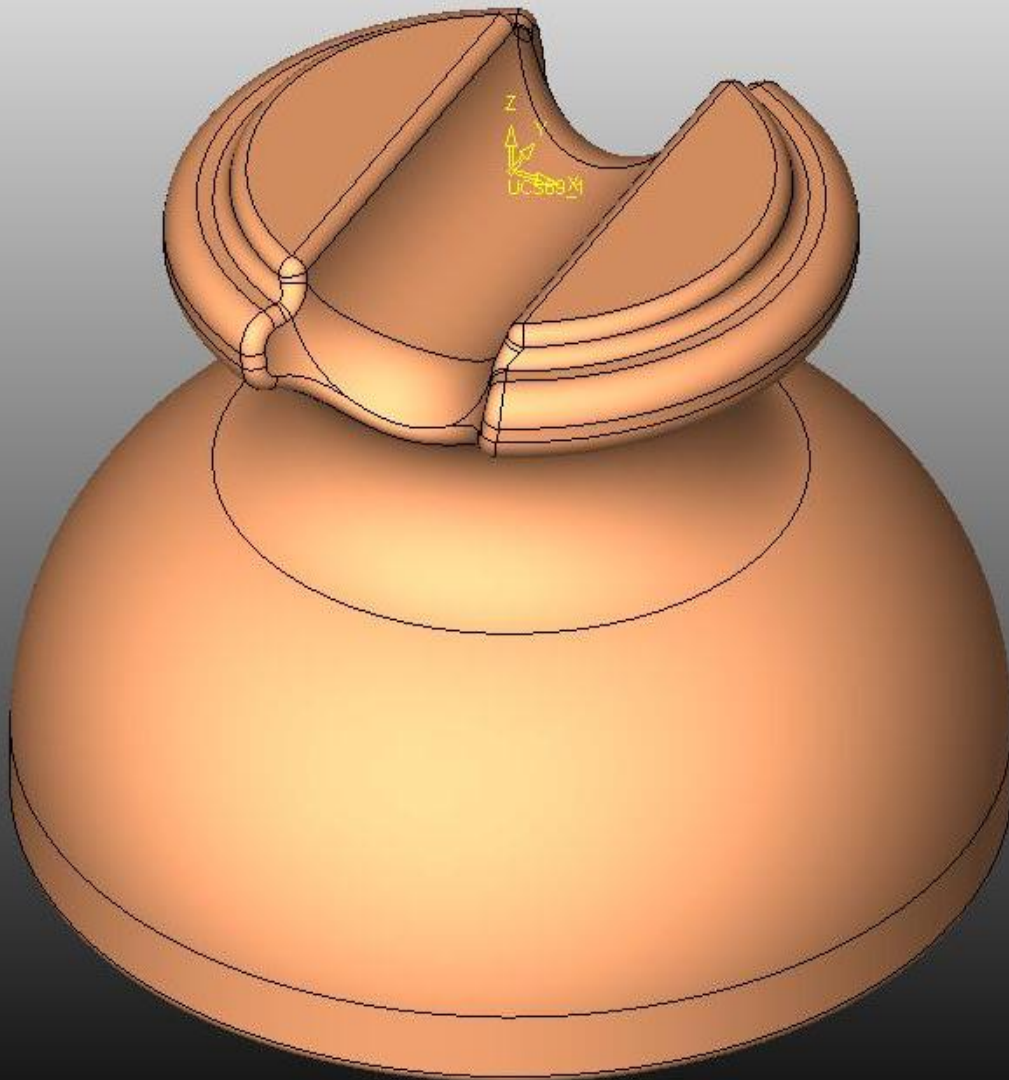




Low and Medium Voltage Polymer Pin Type Insulators for 11.5kV and 15kV Application



WOOJIN Electric & Power Co., LTD.

Research & Development Institute/Science and Technology Agency

1B-1L, National 4th Industrial Complex, Sindang, Sandong, Gumi, Gyeongbuk, Korea 730-853
www.woojinenp.com

TEL (82)54-476-0013~16, FAX (82)54-476-0017

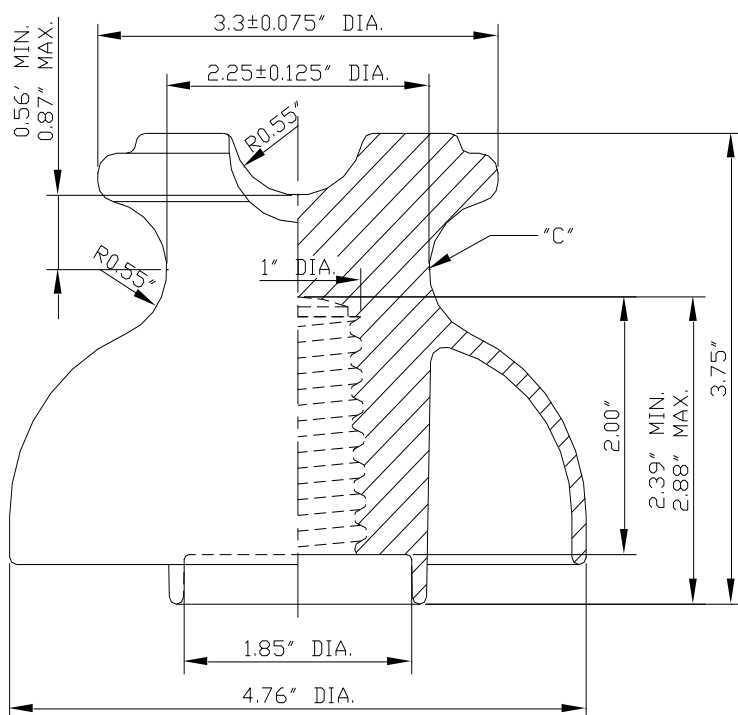
Polymer Pin Type Insulators



Mechanical & Electrical characteristics

ANSI CLASS 55-3

WEP CATALOG NO. PS25-7CA



DIMENSIONS

LEAKAGE DISTANCE	7.7 INCHES
DRY ARCING DISTANCE	4.6 INCHES
MINIMUM PIN HEIGHT	5.0 INCHES

MECHANICAL VALUES

CANTILEVER STRENGTH	2,500 LBS
---------------------	-----------

ELECTRICAL VALUES

60 Hz FLASHOVER-DRY	55 kV
60 Hz FLASHOVER-WET	30 kV
IMPULSE FLASHOVER-POS	90 kV
IMPULSE FLASHOVER-NEG	110 kV

RADIO INFLUENCE VOLTAGE DATA

60 Hz TEST VOLTAGE	10 kV
MAXIMUM RIV @ 1,000kHz	50 uV

PACKING INFORMATION

NET WEIGHT EACH	0.95 LBS
PACKED WEIGHT PER CARTON	34.2 LBS
NO. IN STANDARD PACKAGE	32 PCS

All requirements are to meet or exceed ANSI C29.5



WOOJIN Electric & Power Co., LTD.