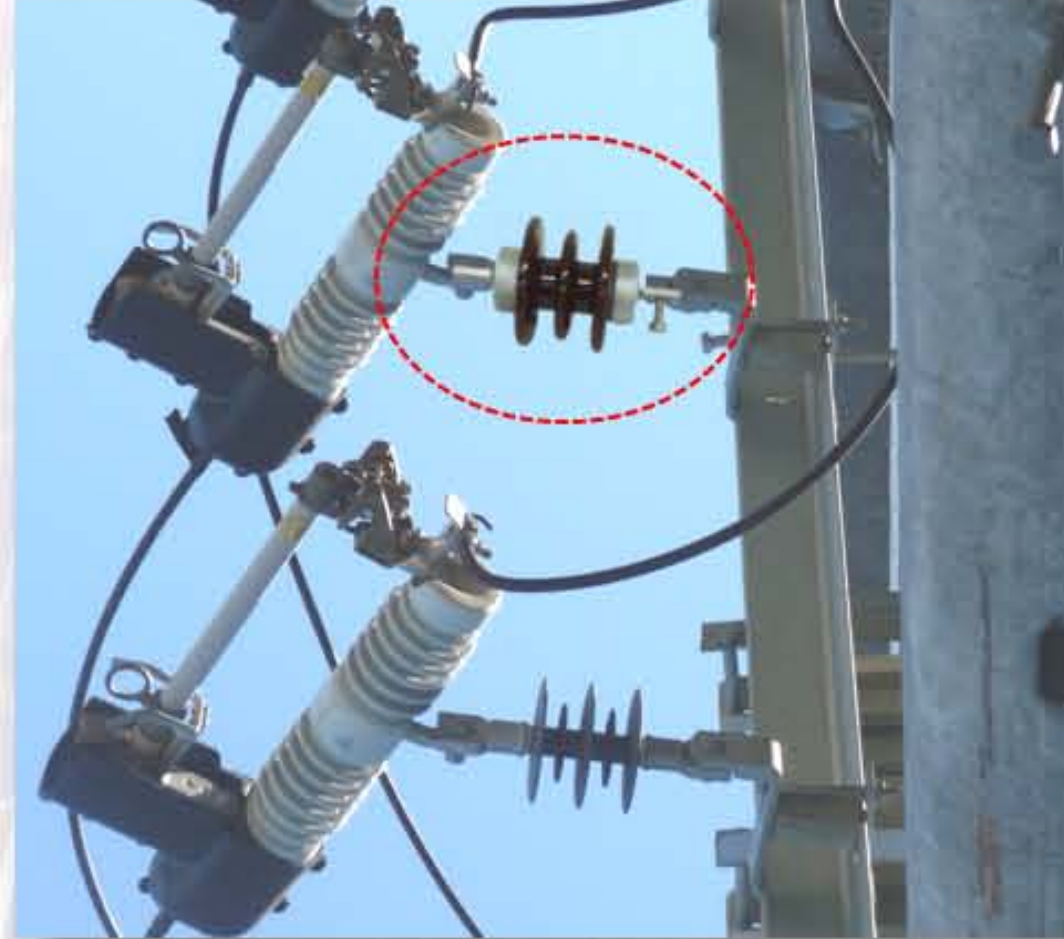
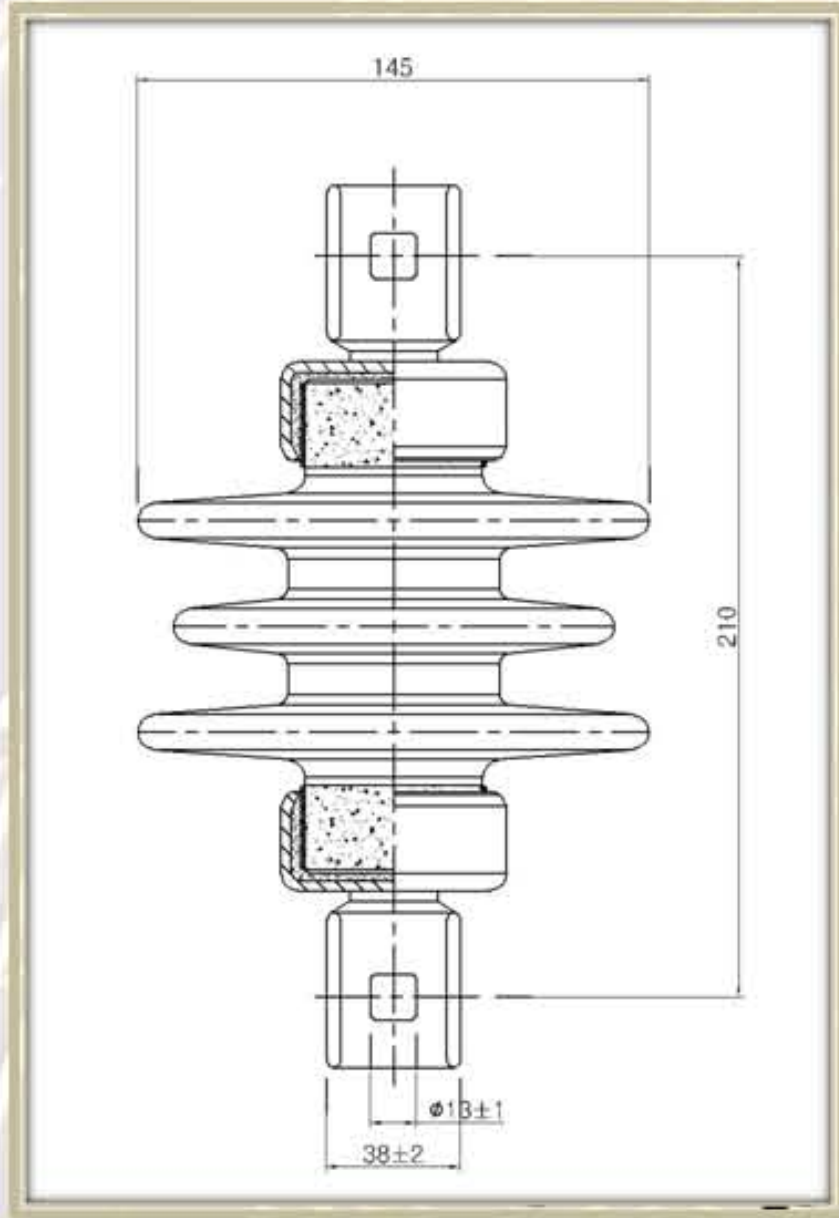


Patent

– Porcelain Anti-contamination Coupling Insulators –



[Conceptional image of field application]

[Background]

This invention is about manufacturing method of anti contamination porcelain coupling insulator and the porcelain coupling insulator itself.

1. the porcelain body has formed multiple shed.
2. both sides of housing assemble the fitting metals which are formed screw bolt hole and stopper.

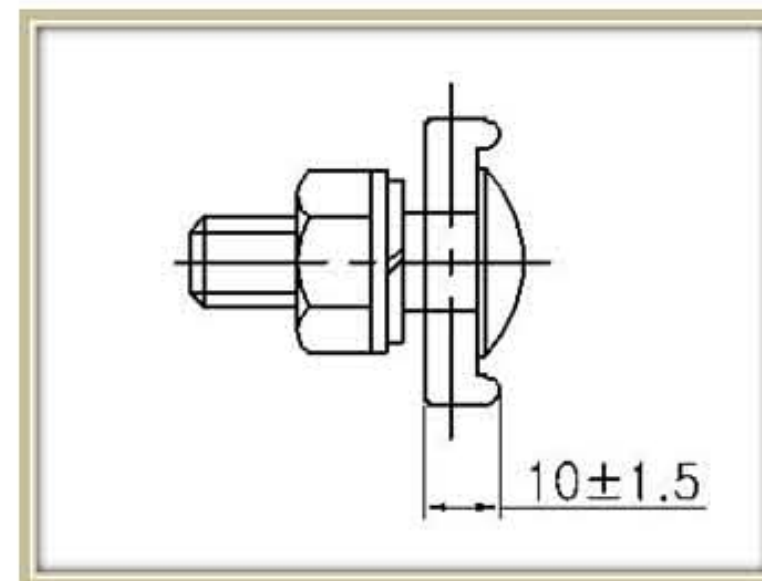
[Characteristics]

Assembled with fitting metals, the housing and fitting metal's contact surface is wider, so binding part is strong.

And shows the coupling insulator has not only excellent durability but also high electrical insulation and mechanical properties.



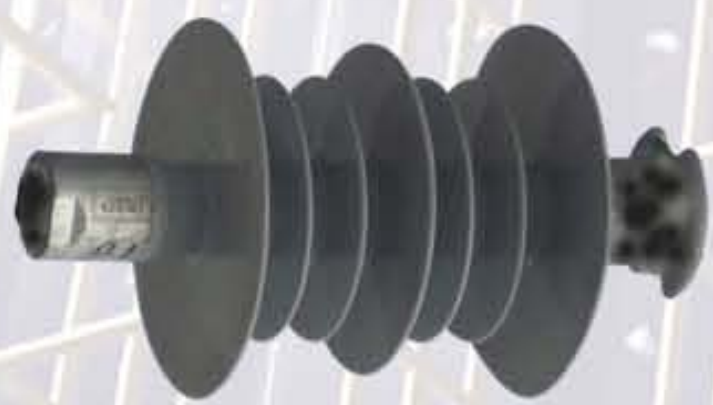
[Product image]



[Drawing: Metal fitting]



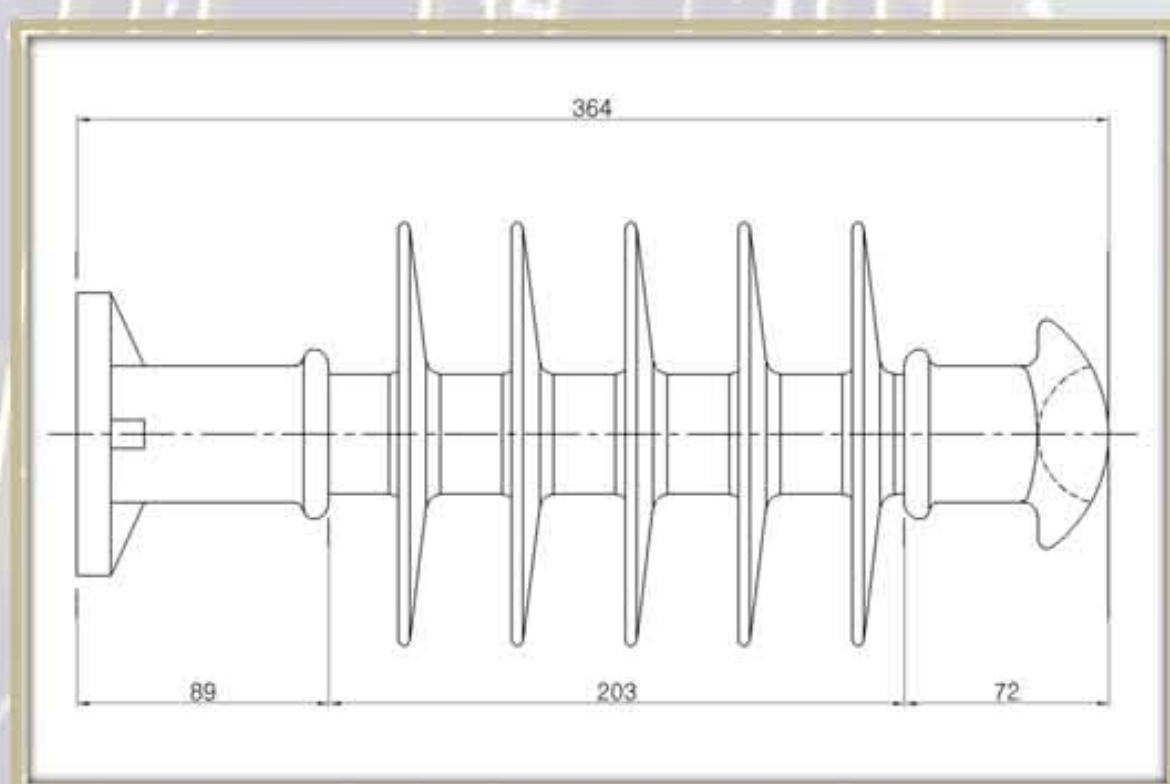
– Polymer line post insulator –



[Product image]

[Advantages]

- The housing housing is lighter than porcelain shed.
- Use silicone rubber or EPDM to make shed and body.
- Silicone rubber has high insulation property, lweather resistance, stability of oxidation, durability and hydrophobicity so it has unique property to control surface leakage distance when exist moisture and contaminants.
- Processing, transportation and installation is easy, high durability and reduction of replacement costs.



[Drawing]

[Background]

It is about line post insulator which support high-voltage of transmission, distribution facilities.

Its core is made by FRP and the housing(surface and shed) is made by silicone rubber and it is formed by injection-molding. Line post insulator is more lighter, and then transportation, process, installation is easy.

Replace with polymer insulator because high durability and reduction of replacement costs.

[Purpose of research]

It is formed polymer not only high electric insulation property and mechanical property but also manufacturing time, cost and installation time saving.

Our purpose is high durability polymer line post insulator supply.



[Conceptional image of field application]

[contents]

-The housing(surface and shed) is formed by silicone rubber injection-molding, its core made by FRP.

-The polymer line post insulator consists of the lower fitting metal made by casting iron and the upper fitting metal made by formed by aluminum forging.

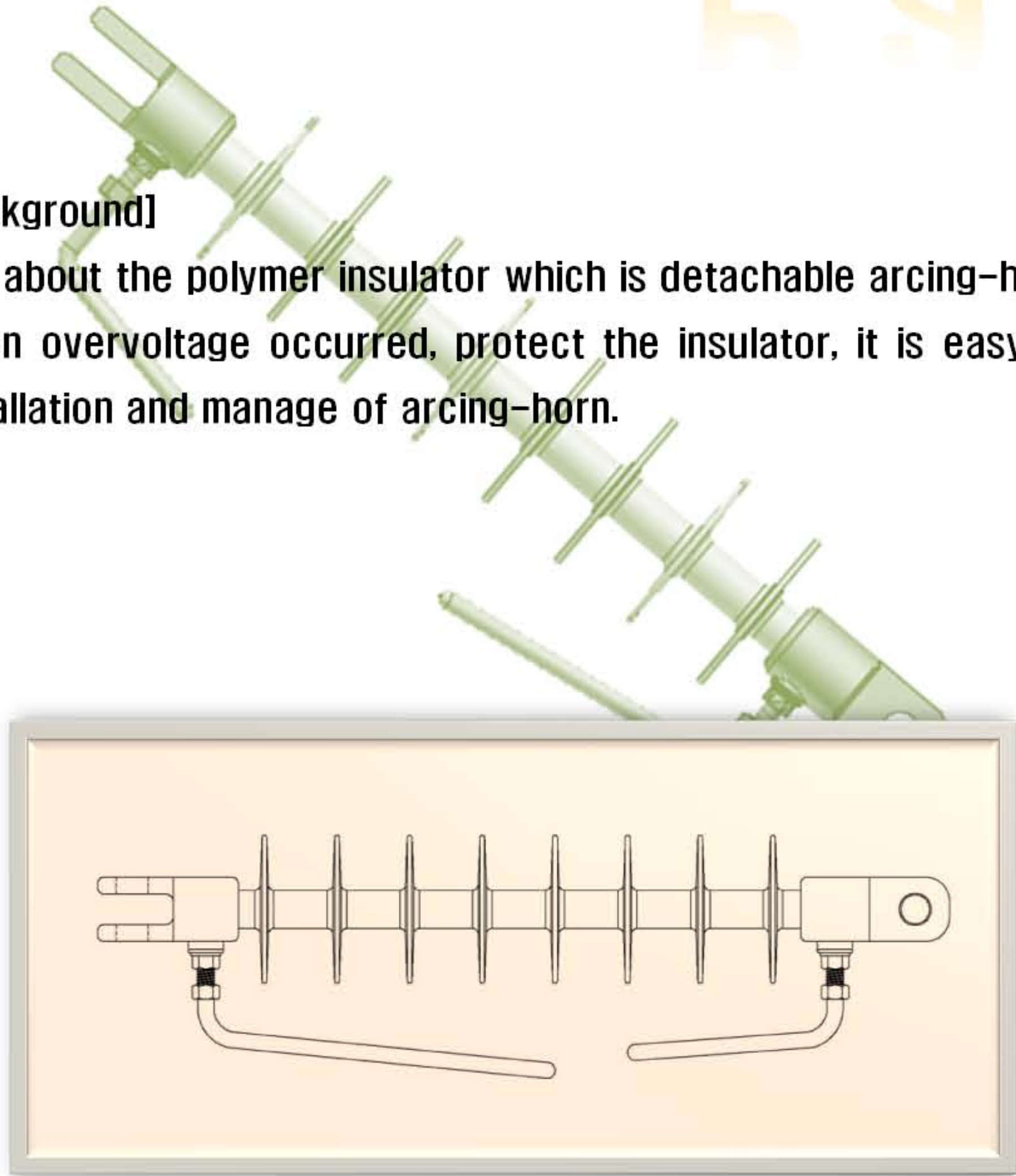


Patent

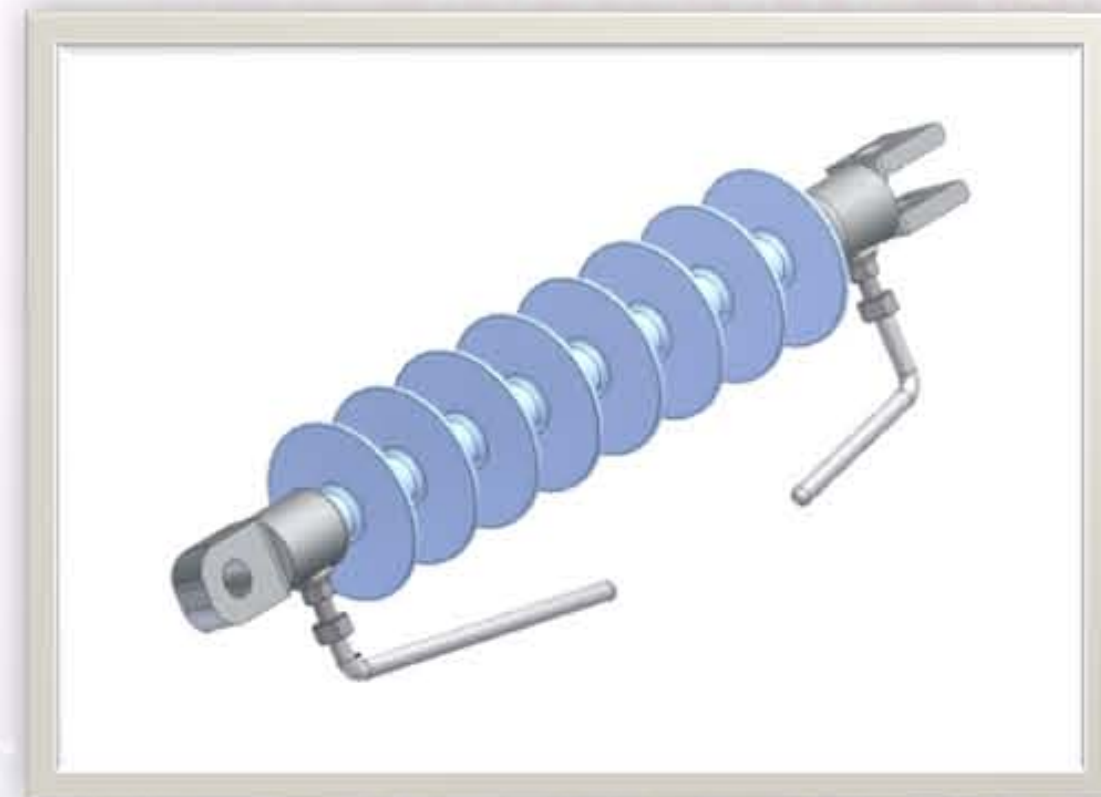
- Arcing- Horn Coupling Polymer Insulator -

[Background]

It is about the polymer insulator which is detachable arcing-horn. When overvoltage occurred, protect the insulator, it is easy to installation and manage of arcing-horn.



[Drawing of developed product]



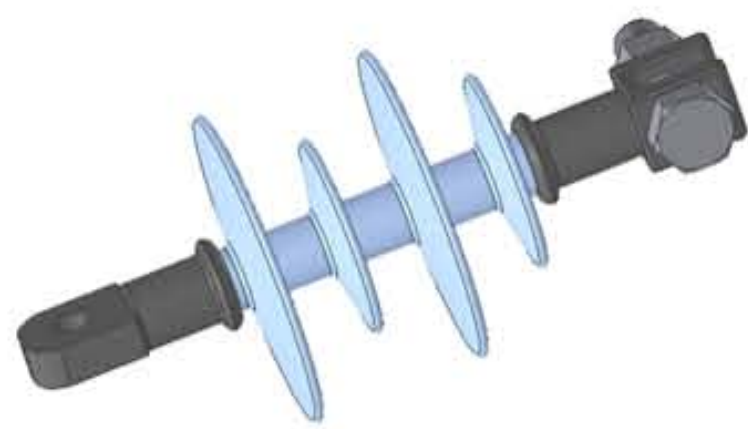
[3D image of developed product]



[Goal of research and contents]

Arcing-Horn coupling polymer insulator assembled fitting metals. It is formed by one piece of fixed part and movable part.

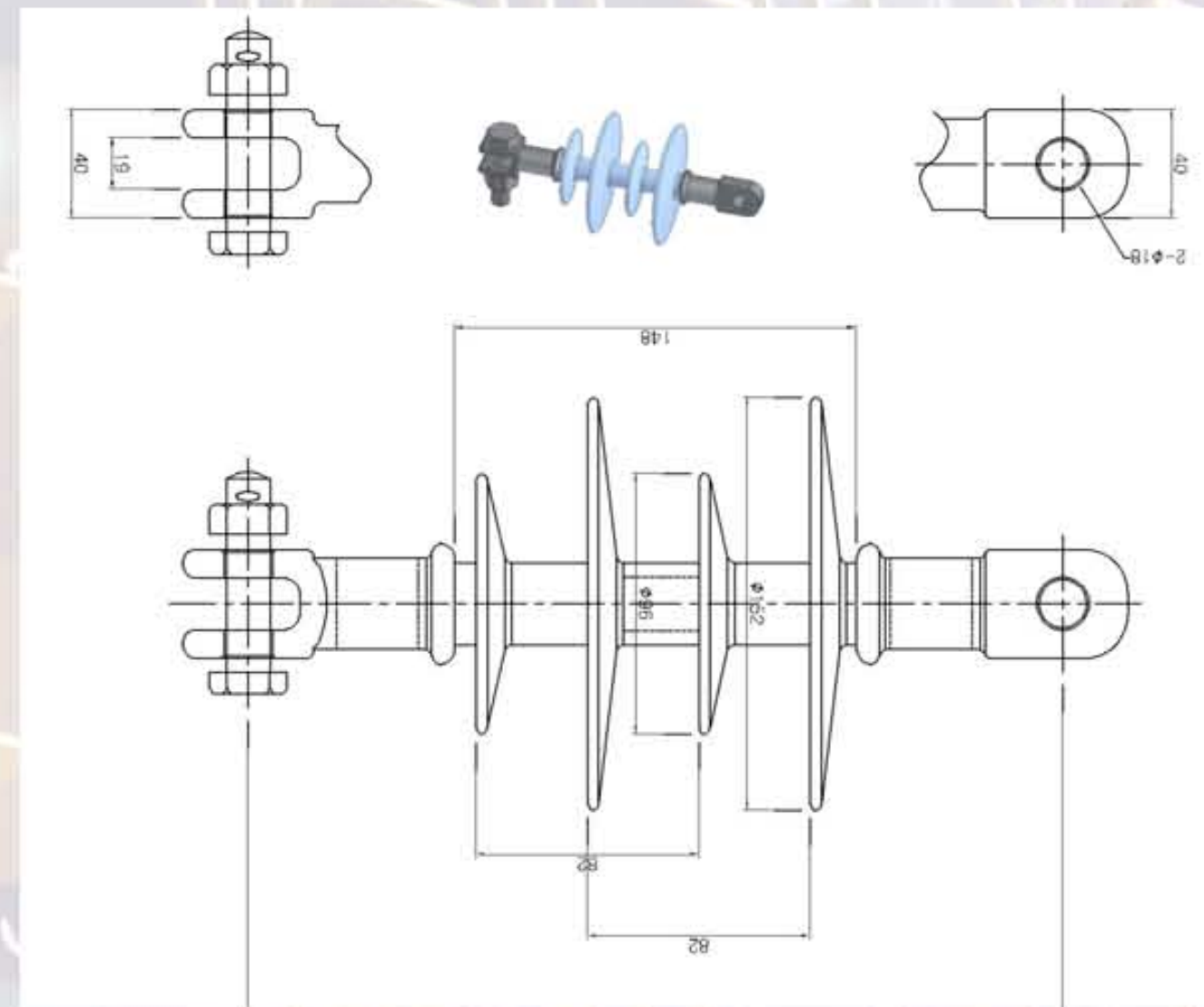
- Polymer suspension insulator for Railway line and 180mm replacement -



[3D image of developed product]



[Conceptional image of installation]



[Drawing]



[Purpose of research]

Instead of some of 180mm porcelain insulator are connected, made the one polymer insulator.

1. Excellent electrical, mechanical properties and durability.
2. It is lighter than porcelain, handling, transportation, installation are easy.

