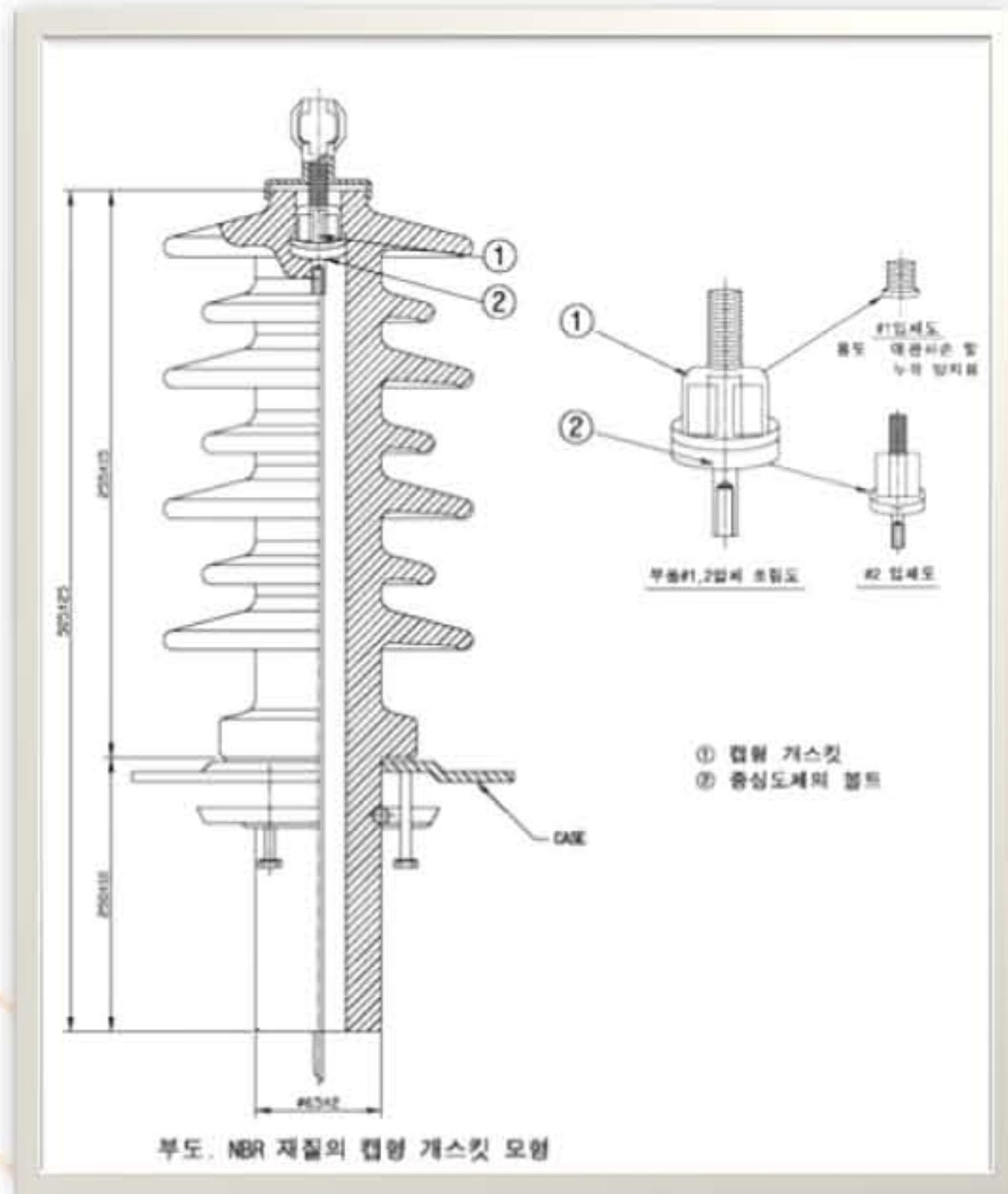


# Porcelain Insulator

## Anti-pollution Type bushing for Pole Transformer

### [Scope]

A bushing for the pole transformer is used in 22.9kV distribution system.



Assembly Drawing



[Product image]



[Application of transformer]

### [Specification]

Test item	Requirement	
Low-frequency Dry withstand voltage, kV	42	
Lightning impulse withstand voltage, kV (1.2 × 50 μs)	Pos	125
	Neg	125
Artificial pollution test[S.S.D], mg/cm <sup>2</sup>	0.35	

## Line Post Type Insulator

### [Scope]

Line Post insulator which is Solid core type use for 22.9kV-Y distribution line.



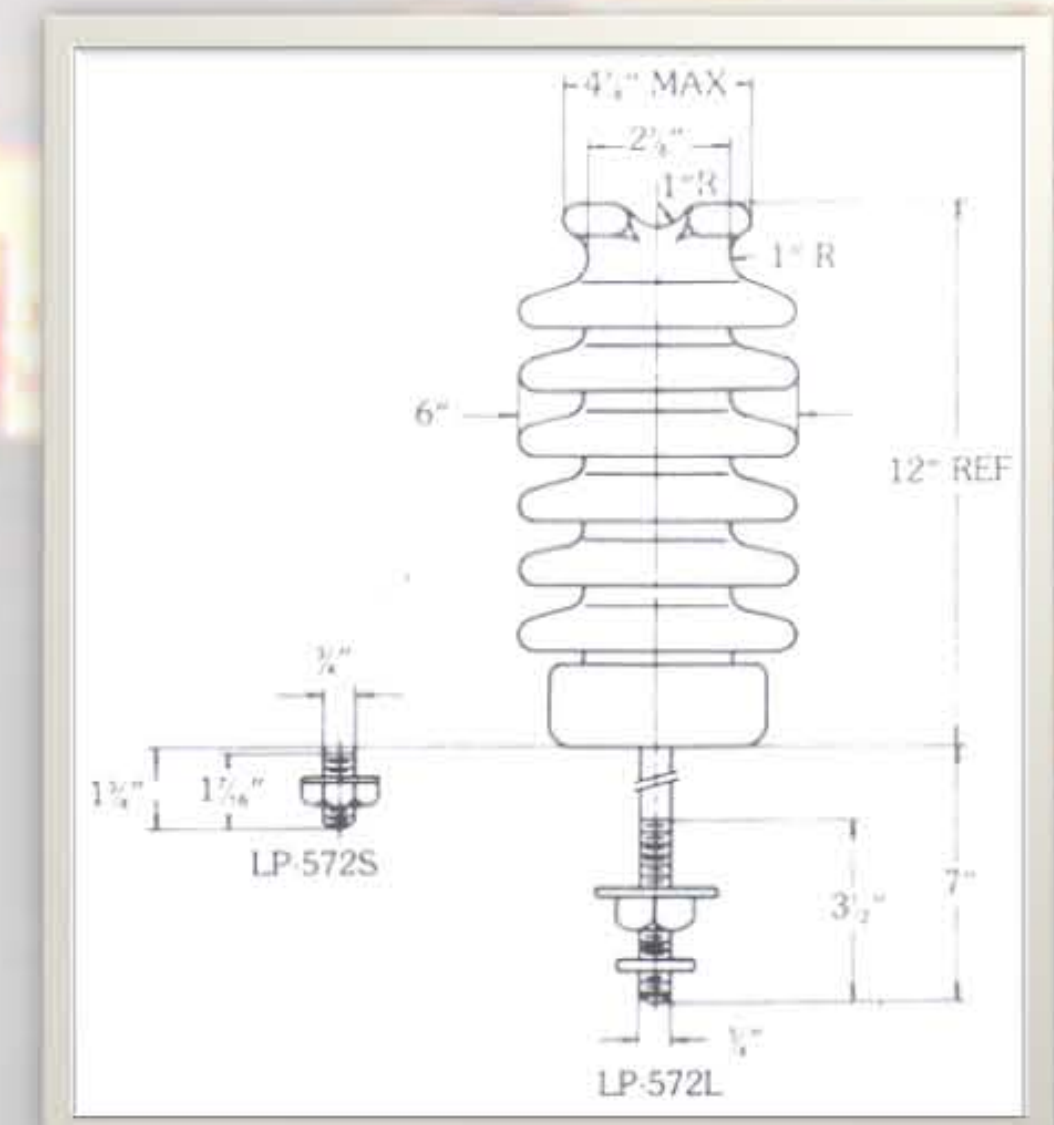
[Product image]



[Application in field]

### [Specification]

Test item	Rating	
	Normal	Anti-pollution
Low-frequency Dry withstand voltage, kV	110	110
Low-frequency Wet withstand voltage, kV	85	85
Lightning impulse withstand voltage, kV (1.2 × 50 μs)	Positive, kV	180
	Negative, kV	205
Radio Influence Voltage	rms to ground, [rms], kV	22
	Max. RIV, μV at 1000 kHz	100
Cantilever failing load, KN[kgf]	12.5(1,270)	12.5(1,270)
Surface creepage distance, mm	559	712
Flashover distance, mm	241	241
Artificial pollution test[S.S.D], mg/cm <sup>2</sup>	-	0.35



[Drawing: Line Post Insulator]

