

Polymer Insulator

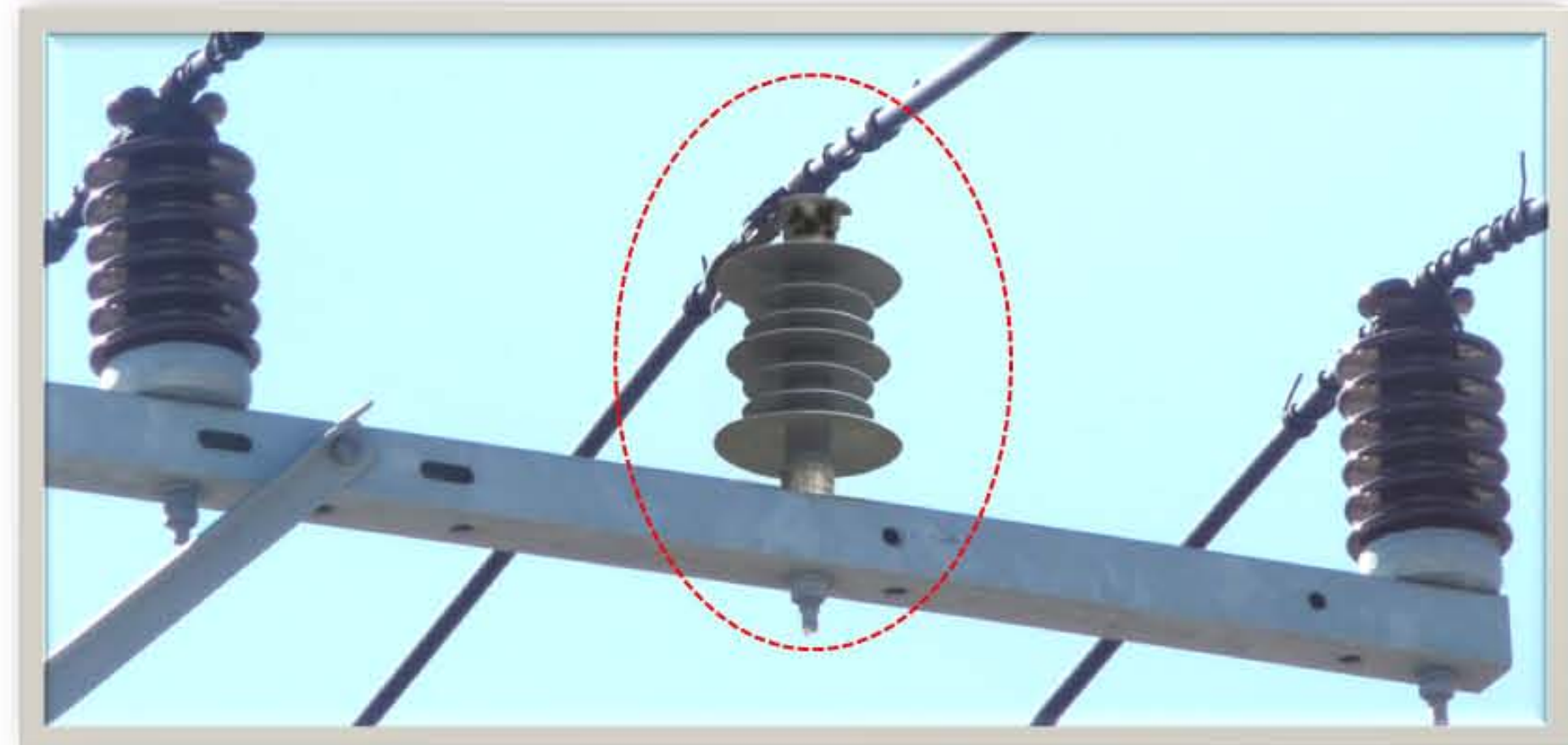
Line post Insulators (22.9kV)

(Scope)

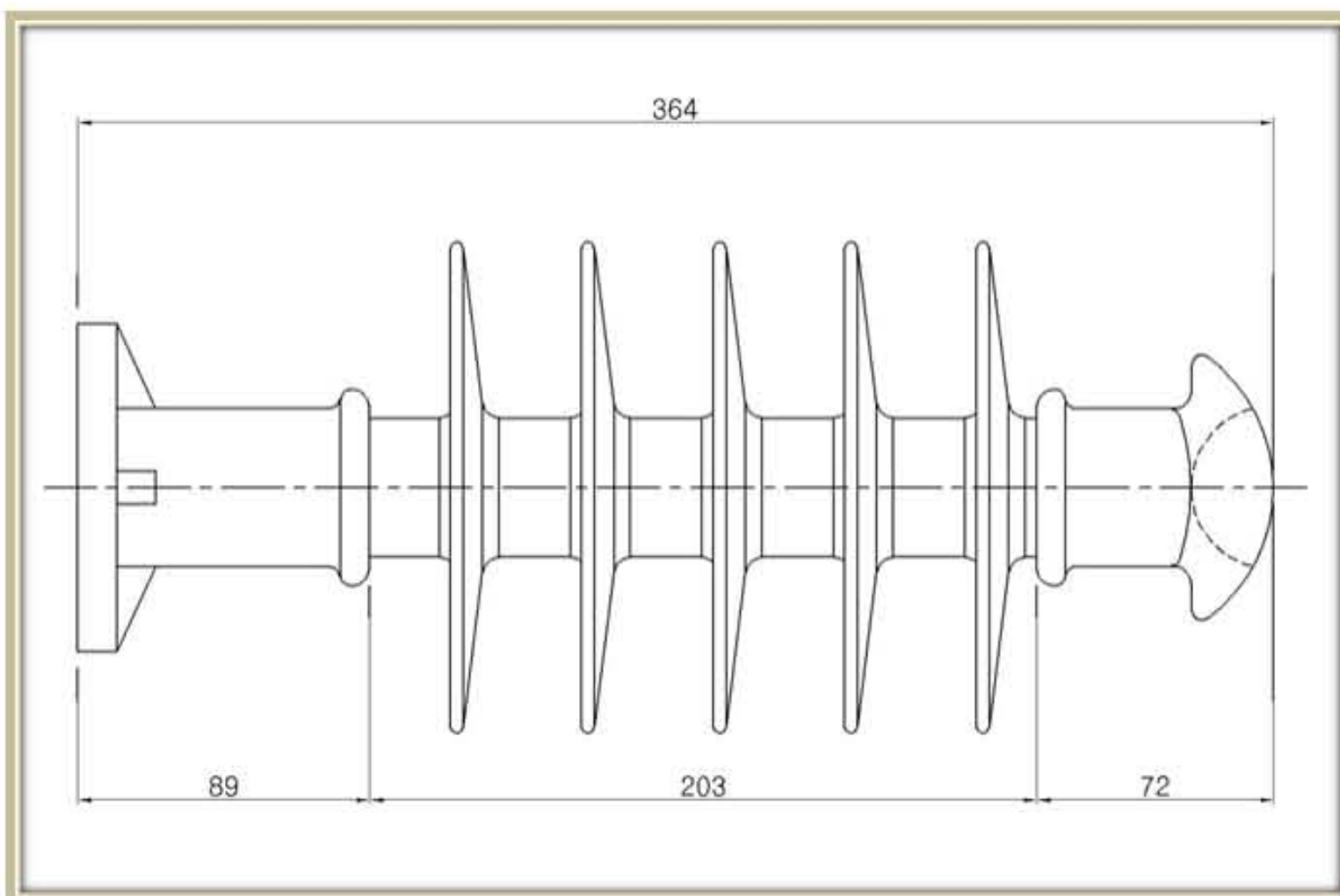
Polymer line post insulator is used for Distribution line of 22.9kV which is combined tie-top type fitting metal.



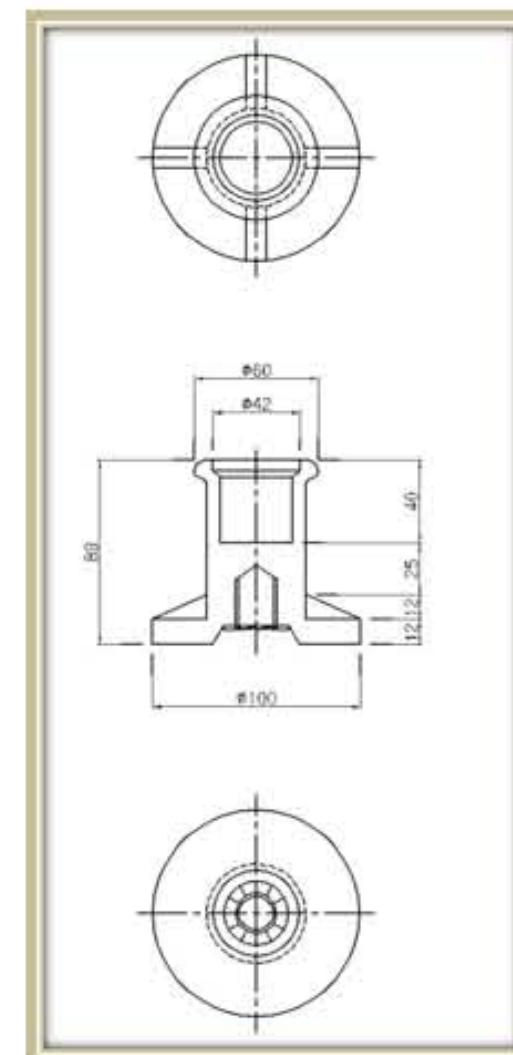
[Porcelain type LP in the field]



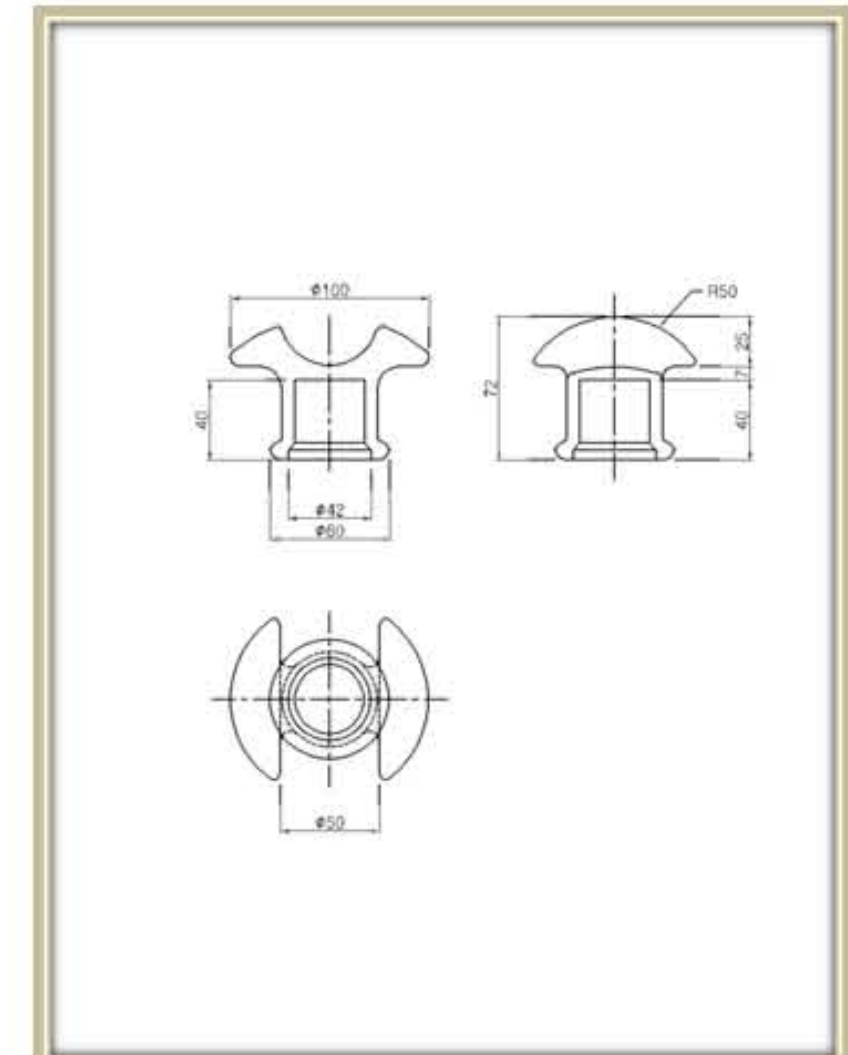
[Application image]



[Drawing: Polymer Ling Post Insulator]



[Drawing: Base Fitting Metal]



[Drawing: Tie-top type Fitting Metal]



[Porcelain product]



[Competitor design]



[Different design]



[WEP design]

[Specification]

Test item		Requirement
Low-frequency Dry flashover voltage, kV		110
Low-frequency Wet flashover voltage, kV		85
Critical impulse flashover voltage, kV(1.2 × 50 μ s)	Positive	180
	Negative	205
Radio-Influence Voltage	rms to ground [rms], kV	22
	Max. RIV μ V at 1000 kHz	10
Cantilever withstand load, kN(kgf)		5.5(560)
Cantilever failing load, kN(kgf)		12(1,270)
Tensile failing load, kN(kgf)		12(1,270)
Min. Surface creepage distance, mm		712
Min. Arcing distance, mm		264

