

Polymer Insulator

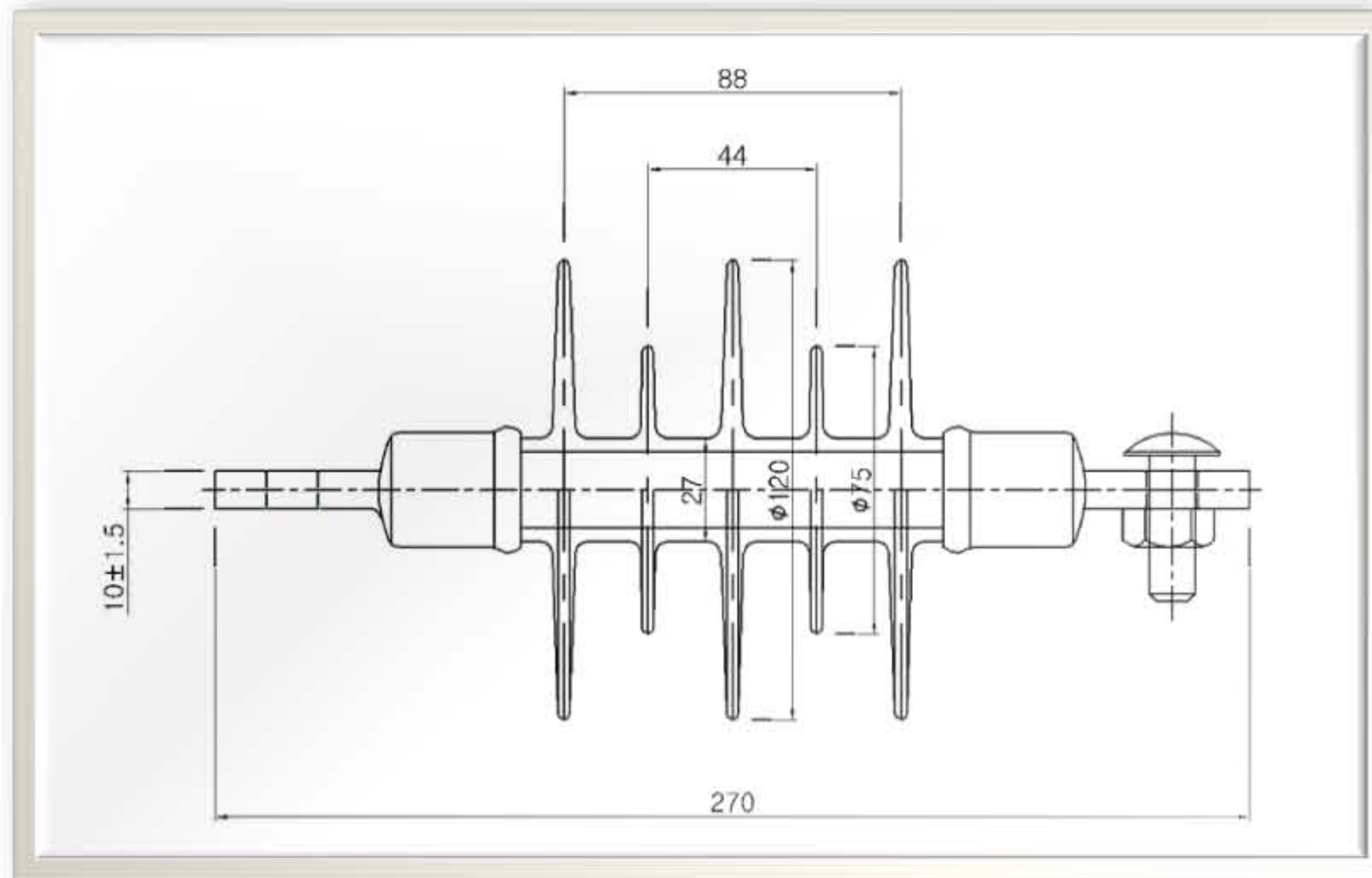
(Anti-contamination Coupling Insulator)

[Scope]

The polymer anti-contamination coupling insulator has been using to improve the insulation strength for the high voltage cut-out switch or lightning arrester in the high pollution area.



[Product]



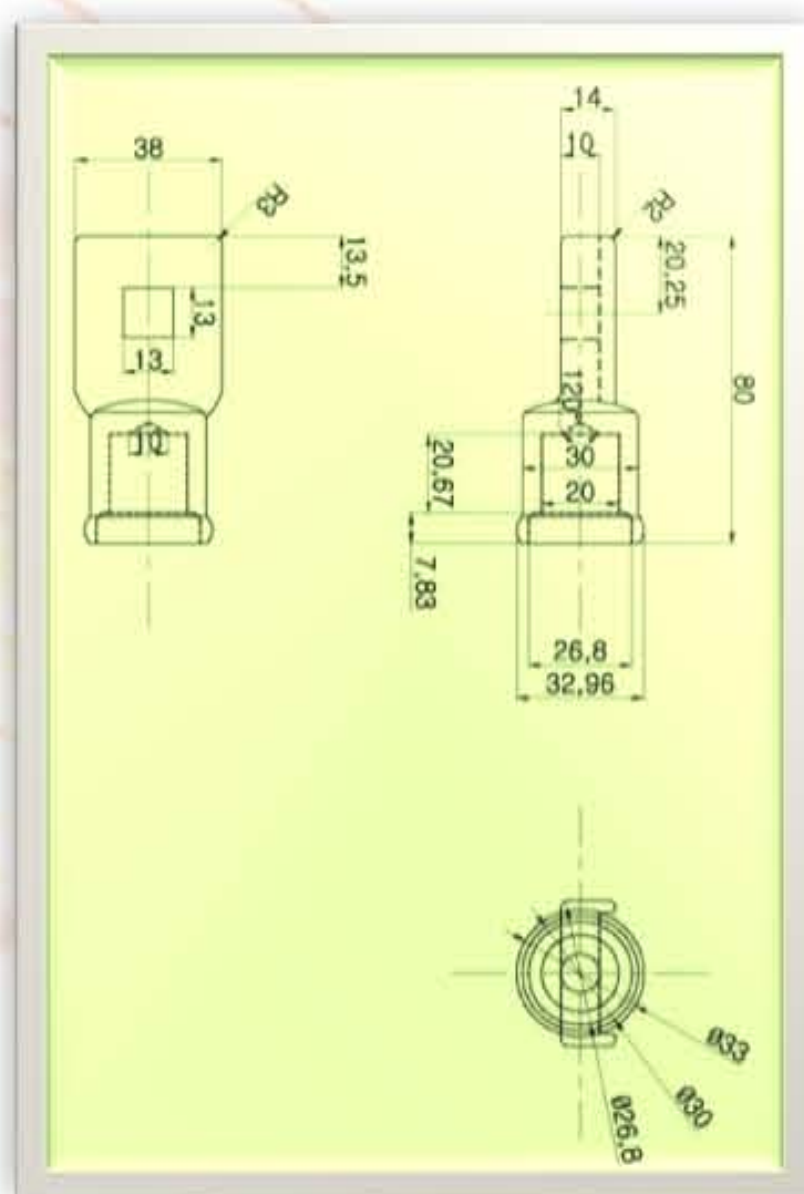
[Drawing]



[Porcelain anti-contamination coupling Insulator]



[Polymer anti-contamination coupling insulator]



[Drawing: Fitting Metals]



[Installation image]

[Specification]

No.	Test Item	Requirement
1	Artificial pollution test	(S.D.D 0.35mg/cm ²) 7kV
2	Low-frequency Dry withstand voltage(1min.)	42kV (terminal-terminal)
3	Lightning impulse withstand voltage(1.2 x 50 μ s)	125 kV
4	Bending failing load	9.8kN (1,000kgf)
5	Bending proof load	0.98kN (100kgf)
6	Tensile failing load	9.8kN (1,000kgf)
7	Creepage distance	420mm

